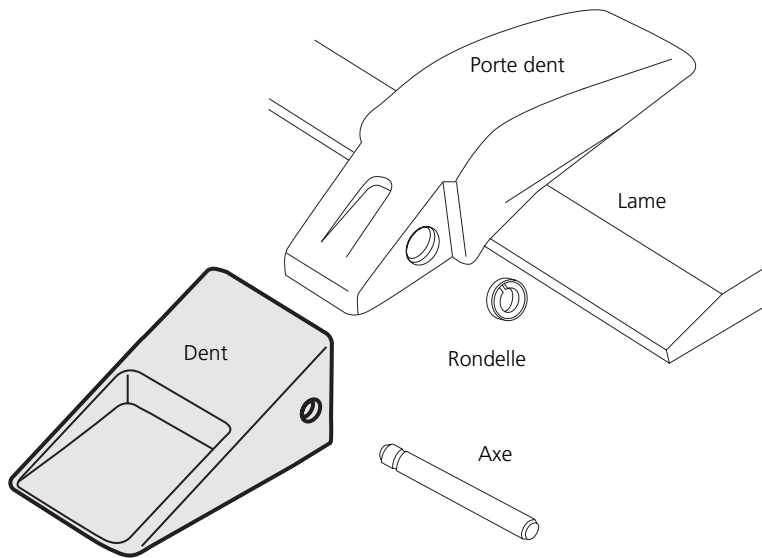


# Remplacement Caterpillar

## Dent

**N° réf. en gras**  
**produit disponible**

Pour tout autre réf.  
consultez-nous



### CHARGEUSE / PELLE

CHARGEUSE / PELLE					
Courte	Courte P	Longue	Longue P	Large	
<b>1U-3201</b>	-	<b>1U-3202</b>	<b>1U-3202 P</b>	-	<b>20</b>
-	-	<b>6Y-3222</b>	-	-	<b>22</b>
<b>1U-3251</b>	-	<b>1U-3252</b>	<b>1U-3252 P</b>	<b>3G-8250</b>	<b>25</b>
<b>1U-3301</b>	<b>1U-3301 P</b>	<b>1U-3302</b>	<b>1U-3302 P</b>	<i>4T-1300</i>	<b>30</b>
<b>1U-3351</b>	<b>1U-3351 P</b>	<b>1U-3352</b>	<b>1U-3352 P</b>	<i>8J-3350</i>	<b>35</b>
<i>7T-3401</i>	-	<b>7T-3402</b>	-	<i>7T-3400</i>	<b>40</b>
<b>9W-8451</b>	-	<b>9W-8452</b>	<b>9W-8452 P</b>	<b>8J-1450</b>	<b>46</b>
<b>9W-8551</b>	-	<b>9W-8552</b>	-	<i>7J-9550</i>	<b>55</b>
-	-	<b>6I-6602</b>	-	-	<b>60</b>
-	-	<b>4T-4702</b>	-	-	<b>70</b>
pag 2.3	pag 2.3	pag 2.4	pag 2.4	pag 2.9	

### CHARGEUSE

CHARGEUSE					
Abrasion	Abrasion HD	Abrasion RP	Longue HD	Large ARM	
<b>4T-2203</b>	-	-	-	-	<b>20</b>
<b>4T-2253</b>	<b>9N-4253</b>	<b>4T-2253 RP</b>	<b>9N-4252</b>	-	<b>25</b>
<b>4T-2303</b>	<b>9N-4303</b>	<b>4T-2303 RP</b>	<b>9N-4302</b>	<i>125-8302</i>	<b>30</b>
<b>4T-2353</b>	<b>9N-4353</b>	<b>4T-2353 RP</b>	<b>9N-4352</b>	<i>135-9352</i>	<b>35</b>
-	-	<b>7T-3403 RP</b>	-	<i>116-7402</i>	<b>40</b>
<b>9W-1453</b>	<b>9N-4453</b>	<b>9W-1453 RP</b>	<b>9N-4452</b>	<b>101-9054</b>	<b>46</b>
<b>9W-1553</b>	<b>6Y-2553</b>	<b>9W-1553 RP</b>	<b>9N-4552</b>	<b>101-9055</b>	<b>55</b>
-	<i>6I-6603</i>	<b>6I-6603 RP</b>	<b>7Y-0602</b>	<i>107-8602</i>	<b>60</b>
<b>4T-4703</b>	-	<b>4T-4703 RP</b>	-	<i>107-2001</i>	<b>70</b>
-	<b>6I-8803</b>	-	-	-	<b>80</b>
pag 2.5	pag 2.5	pag 2.6	pag 2.7	pag 2.11	

Ton.			
6,500-10,000	20-25 mm.	416, 426, 428, 910, 916,	<b>20</b>
6,500-10,000	20-25 mm.	920, 926, 933	<b>22</b>
10,000-20,000	25-32 mm.	936, 943, 950, 953, 963	<b>25</b>
20,000-23,000	32-40 mm.	966, 973, 977	<b>30</b>
25,000-63,500	38-50 mm.	980, 983, 988	<b>35</b> <b>40</b> <b>46</b>
63,500-90,000	50-64 mm.	992	<b>55</b>
90000-125000	64-75 mm.	375	<b>60</b>
125,000-170,000	64-120 mm.	994	<b>70</b>
> 170,000	> 102 mm.	994	<b>80</b>

### PELLE

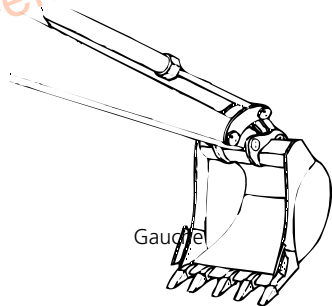
PELLE						
Longue SYL	Penetration	Penetration VIP	Penetration V	Rock chisel RC	Penetration ARM	
-	<b>1U-3209</b>	<b>1U-3202 TL</b>	<b>1U-3202 WTL</b>	-	-	<b>20</b>
-	<i>6Y-8229</i>	-	-	-	-	<b>22</b>
<b>1U-3252 SYL</b>	<b>9J-4259</b>	<b>1U-3252 TL</b>	<b>1U-3252 WTL</b>	-	-	<b>25</b>
<b>1U-3302 SYL</b>	<b>9J-4309</b>	<b>1U-3302 TL</b>	<b>1U-3302 WTL</b>	<b>1U-3302 RC</b>	-	<b>30</b>
<b>1U-3352 SYL</b>	<b>9J-4359</b>	<b>1U-3352 TL</b>	<b>1U-3352 WTL</b>	<b>1U-3352 RC</b>	<b>119-9359</b>	<b>35</b>
<b>8E-4402 SYL</b>	<b>6Y-7409</b>	<b>7T-3402 TL</b>	<b>7T-3402 WTL</b>	-	<b>124-7409</b>	<b>40</b>
<b>9W-8452 SYL</b>	<b>9W-8459</b>	<b>1U-3452 TL</b>	<b>1U-3452 WTL</b>	<b>1U-3452 RC</b>	<b>116-7459</b>	<b>46</b>
<b>9W-8552 SYL</b>	<b>9W-8559</b>	<b>1U-3552 TL</b>	<b>1U-3552 WTL</b>	<b>1U-3552 RC</b>	<b>113-0559</b>	<b>55</b>
-	<b>7I-7609</b>	<b>6I-6602 TL</b>	<b>6I-6602 WTL</b>	<b>6I-6602 RC</b>	<b>119-9609</b>	<b>60</b>
-	<b>4T-4709</b>	<b>4T-4702 TL</b>	-	-	-	<b>70</b>
-	<b>117-6809</b>	-	-	-	-	<b>80</b>
pag 2.6	pag 2.7	pag 2.8	pag 2.8	pag 2.9	pag 2.11	

# Dent

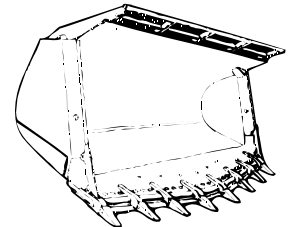
## Ce qu'il faut savoir

### Godet pour chargeuse et pelle

Les côtés droit et gauche s'entendent comme vu depuis la cabine



Gauche



Gauche

Droit

Droit

### Comment trouver la taille ou la famille auquel appartient une dent neuve

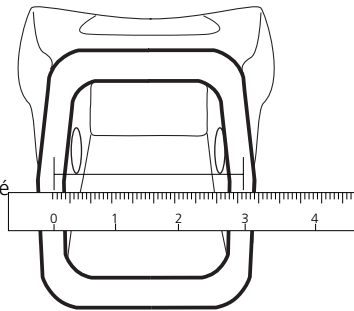
Avec un mètre sur la partie postérieure de la dent mesurer d'une moitié à l'autre des parois latérales.

Exemple

**3"** (76 mm) Correspond à la **famille 300**

**3,5"** (89 mm) Correspond à la **famille 350**

**5,5"** (140 mm) Correspond à la **famille 550**



### Comment trouver la taille ou la famille à laquelle appartient une dent usée

Avec un palpeur vous prenez n'importe quelle mesure indiquée dans la fig. 1 et comparez les avec le tableau de mesure de la fig. 2

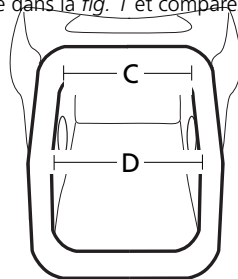
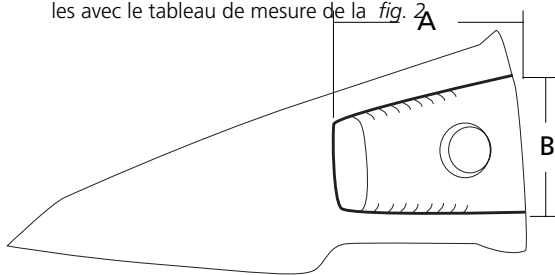


fig. 1

mm.				
A	B	C	D	
62	47	36	40	<b>J200</b> amille
71	60	44	49	<b>J220</b>
79	68	49	55	<b>J250</b>
89	77	60	67	<b>J300</b>
102	84	68	75	<b>J350</b>
113	93	80	88	<b>J400</b>
121	99	90	98	<b>J450 / J460</b>
142	110	110	119	<b>J550</b>
170	130	131	143	<b>J600</b>
180	155	144	155	<b>J700</b>
195	170	157	171	<b>J800</b>

fig. 2

### Information sur une référence d'origine

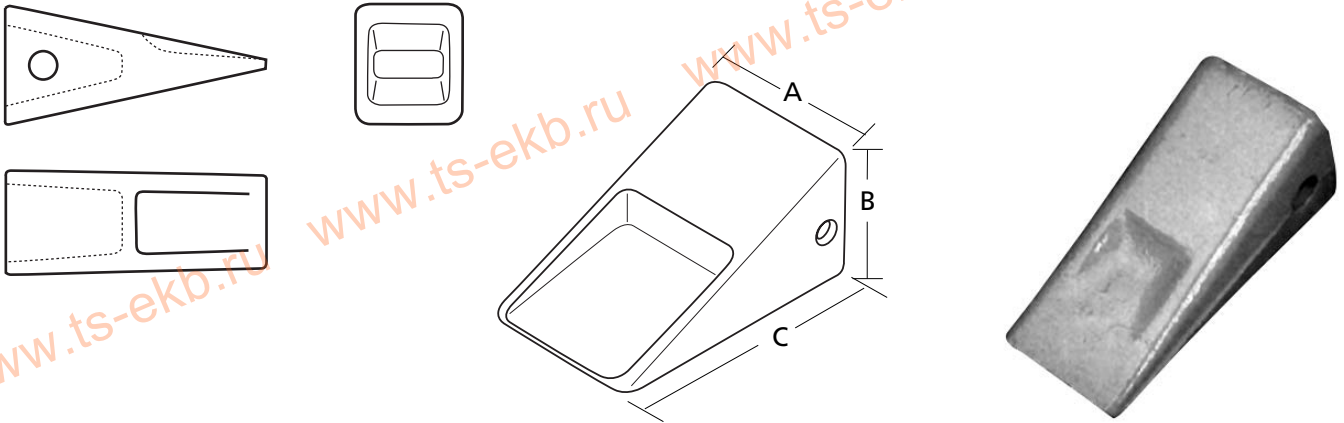
Le quatrième et cinquième chiffre de la référence décrit la taille de la dent le sixième sa forme.

Les chiffres les plus fréquents sont

- 1 = Court
- 2 = Long
- 3 = Abrasion
- 9 = Pénétration

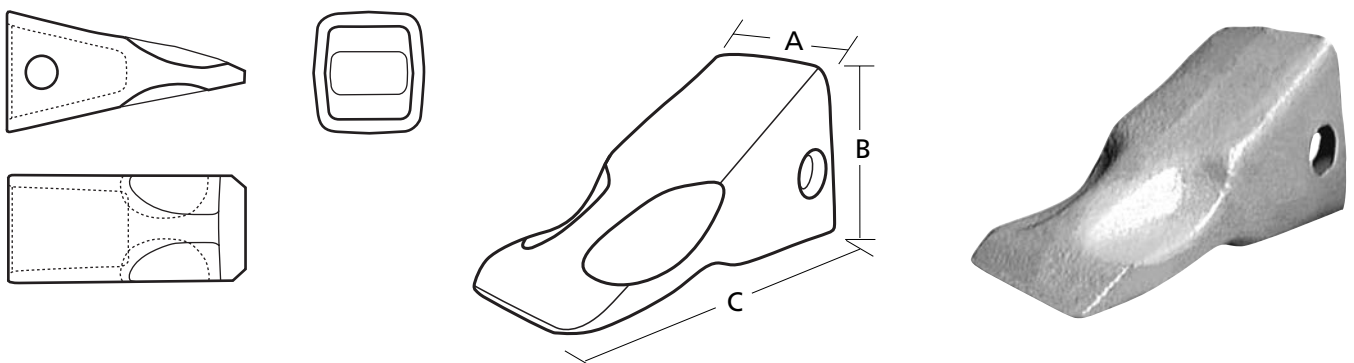
			Taille		Forme
1	U	3	<b>25</b>	1	
9	J	4	<b>30</b>	9	
4	T	2	<b>35</b>	3	
6	Y	7	<b>40</b>	9	
9	N	4	<b>46</b>	9	
9	N	4	<b>55</b>	2	
7	I	7	<b>60</b>	9	
4	T	4	<b>70</b>	9	

## Dent Courte



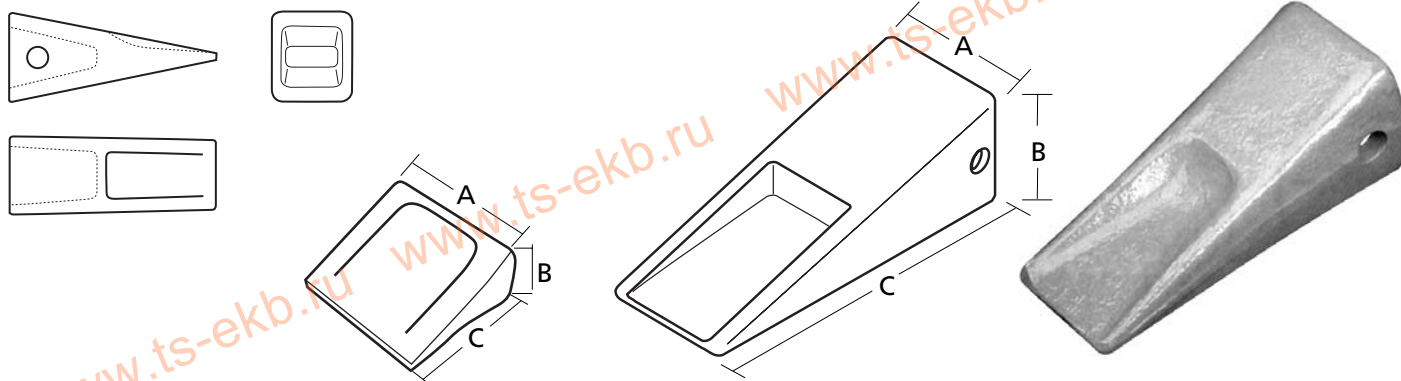
mm.														20
A	B	C												
60 2,36"	64 2,52"	134 5,28"	1,30 2,87	<b>1U-3201</b>	8E-6208 1U-4208	8E-6209 4T-0001	4T-1204	8J-7525	-	-	9J-4207	-	<b>20</b>	
65 2,56"	73 2,87"	164 6,46"	2,29 5,05	<b>1U-3251</b>	8E-6258 9J-2258	8E-6259 3G-9609	1U-1254	3G-0169	-	6Y-3254	1U-0257	-	<b>25</b>	
88 3,46"	100 3,94"	189 7,44"	4,09 9,02	<b>1U-3301</b>	107-3308 9J-2308	8E-6259 3G-9609	1U-1304	9J-8929	-	3G-6304 /05/06 8E-9490 /95/96	4T-4307 1U-0307 3G-9307	3G-5307	<b>30</b>	
97 3,82"	105 4,13"	203 7,99"	5,60 12,35	<b>1U-3351</b>	8E-6358 9J-2358	8E-6359 3G-9549	1U-1354	1U-1350	-	6I-6354 /55/56	3G-3357 1U-1357	3G-1357 3G-2357	<b>35</b>	
-	-	-	-	7T-3401	7T-3408	8E-8409	-	-	-	6I-6404 /05/06	-	-	<b>40</b>	
132 5,20"	126 4,96"	266 10,47"	11,50 25,35	<b>9W-8451</b> 1U-3451	8E-0468	8E-8469	8E-0464	-	114-0464 /65/66	6I-6464 /65/66 6I-6465 RH/66 LH	-	-	<b>46</b>	
153 6,02"	146 5,75"	290 11,42"	18,05 39,79	<b>9W-8551</b> 1U-3551	6Y-8558 1U-1558	8E-5559 3G-9559	7J-9554	-	107-3554 /55/56	6I-6554 /55/56 6I-6555 RH/56 LH	-	-	<b>55</b>	

## Dent Courte Tranchante



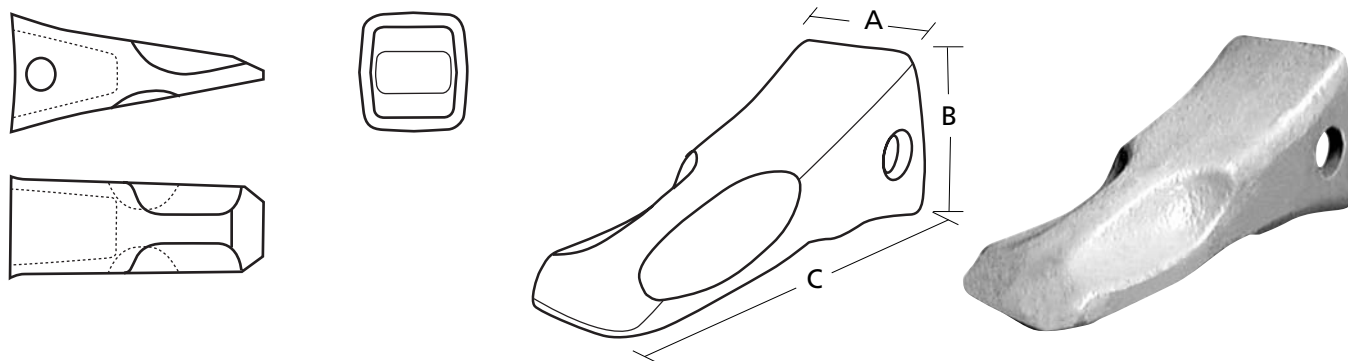
mm.													30
A	B	C											
85 3,35"	101 3,98"	185 7,28"	3,35 7,39	<b>1U-3301 P</b>	107-3308 9J-2308	8E-6259 3G-9609	1U-1304	9J-8929	-	8E-9490 /95/96 3G-6304 /05/06	4T-4307 1U-0307 3G-9307	3G-5307	<b>30</b>
96 3,78"	107 4,21"	203 7,99"	4,50 9,92	<b>1U-3351 P</b>	9J-2358	8E-6359 3G-9549	1U-1354	1U-1350	-	6I-6354 /55/56	3G-3357 1U-1357	3G-1357 3G-2357	<b>35</b>

### Dent Longue



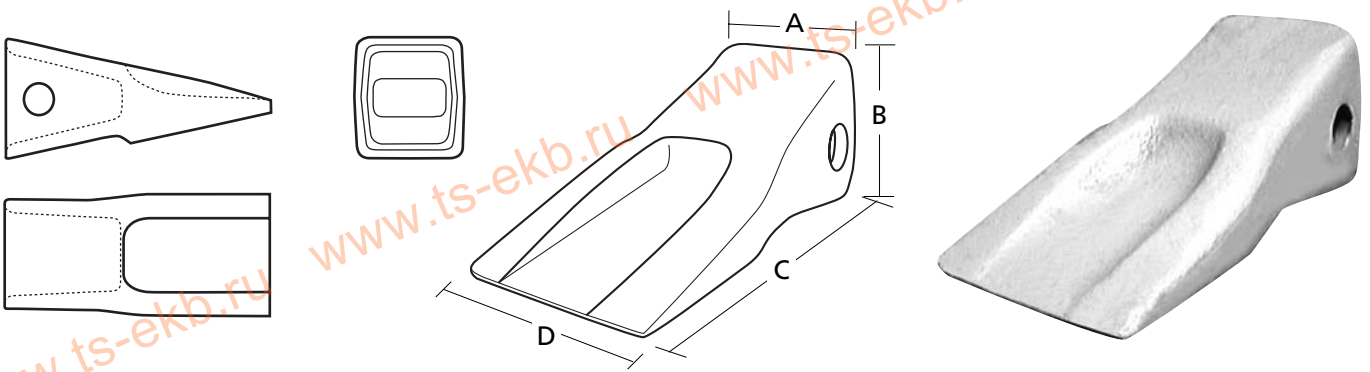
mm.			KG	Image	Image	Image	Image	Image	Image	Image	Image	Image	Image	Image	mm.
A	B	C													
61 2,40"	64 2,52"	145 5,71"	1,40 3,09	<b>1U-3202</b>	8E-6208 1U-4208	8E-6209 4T-0001	-	4T-1204	8J-7525	-	-	9J-4207	-	<b>20</b>	
61 2,40"	74 2,91"	168 6,61"	2,10 4,63	<b>6Y-3222</b>	6Y-3228	8E-6259 3G-9609	-	-	-	-	6Y-3224	-	-	<b>22</b>	
73 2,87"	89 3,50"	198 7,80"	2,90 6,39	<b>1U-3252</b>	8E-6258 9J-2258	8E-6259 3G-9609	-	1U-1254	3G-0169	-	6Y-3254	1U-0257	-	<b>25</b>	
84 3,31"	100 3,94"	215 8,46"	4,10 9,04	<b>1U-3302</b>	107-3308 9J-2308	8E-6259 3G-9609	-	1U-1304	9J-8929	-	3G-6304 /05/06 8E-9490 /95/96	4T-4307 1U-0307 3G-9307	3G-5307	<b>30</b>	
100 3,94"	108 4,25"	240 9,45"	6,40 14,11	<b>1U-3352</b>	8E-6358 9J-2358	8E-6359 3G-9549	-	1U-1354	1U-1350	-	6I-6354 /55/56	3G-3357 1U-1357	3G-1357 3G-2357	<b>35</b>	
116 4,57"	124 4,88"	263 10,35"	9,50 20,94	<b>7T-3402</b>	7T-3408	8E-8409	-	-	-	-	6I-6404 /05/06	-	-	<b>40</b>	
124 4,88"	130 5,12"	293 11,54"	12,30 27,12	<b>9W-8452</b> 1U-3452	8E-0468	8E-8469	-	8E-0464	-	114-0464 /65/66	6I-6464 /65/66 6I-6465 RH/66 LH	-	-	<b>46</b>	
146 5,75"	148 5,83"	338 13,31"	19,00 41,89	<b>9W-8552</b> 1U-3552	6Y-8558 1U-1558	8E-5559 3G-9559	-	7J-9554	-	107-3554 /55/56	6I-6554 /55/56 6I-6555 RH/56 LH	-	-	<b>55</b>	
142 5,59"	70 2,76"	142 5,59"	5,24 11,55	-	-	-	<b>9W-8552 PS</b>		-	-	-	-	-		
180 7,09"	190 7,48"	410 16,14"	30,40 67,02	<b>6I-6602</b>	6I-6608	6I-6609	-	-	-	119-8604/05/06	6I-6604 /05/06 6I-6605 RH/06 LH	-	-	<b>60</b>	
180 7,09"	200 7,87"	415 16,34"	37,30 82,23	<b>4T-4702</b>	4T-4708	4T-4707	-	-	-	133-0704 /05/06 100-7416 /RH/LH	-	-	-	<b>70</b>	

### Dent Longue Tranchante



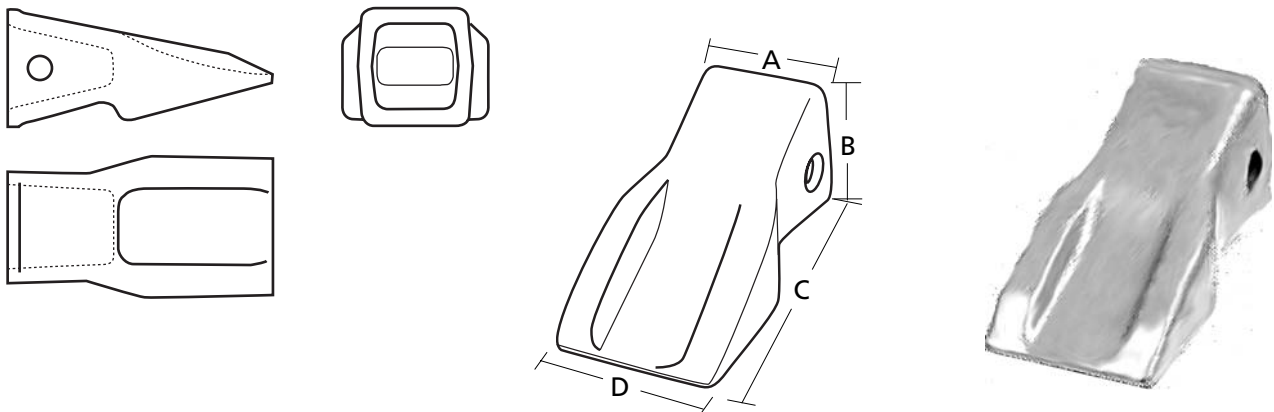
mm.			KG	Image	Image	Image	Image	Image	Image	Image	Image	Image	Image	mm.
A	B	C												
60 2,36"	68 2,68"	141 5,55"	1,43 3,15	<b>1U-3202 P</b>	8E-6208 1U-4208	8E-6209 4T-0001	4T-1204	8J-7525	-	-	9J-4207	-	<b>20</b>	
74 2,91"	88 3,46"	192 7,56"	3,15 6,94	<b>1U-3252 P</b>	8E-6258 9J-2258	8E-6259 3G-9609	1U-1254	3G-0169	-	6Y-3254	1U-0257	-	<b>25</b>	
85 3,35"	101 3,98"	215 8,46"	3,80 8,38	<b>1U-3302 P</b>	107-3308 9J-2308	8E-6259 3G-9609	1U-1304	9J-8929	-	3G-6304 /05/06 8E-9490 /95/96	4T-4307 1U-0307 3G-9307	3G-5307	<b>30</b>	
95 3,74"	106 4,17"	235 9,25"	5,00 11,02	<b>1U-3352 P</b>	8E-6358 9J-2358	8E-6359 3G-9549	1U-1354	1U-1350	-	6I-6354 /55/56	3G-3357 1U-1357	3G-1357 3G-2357	<b>35</b>	
125 4,92"	133 5,24"	288 11,34"	11,20 24,69	<b>9W-8452 P</b> 1U-3452 P	8E-0468	8E-8469	8E-0464	-	114-0464 /65/66	6I-6464 /65/66 6I-6465 RH/66 LH	-	-	<b>46</b>	

## Dent Abrasion



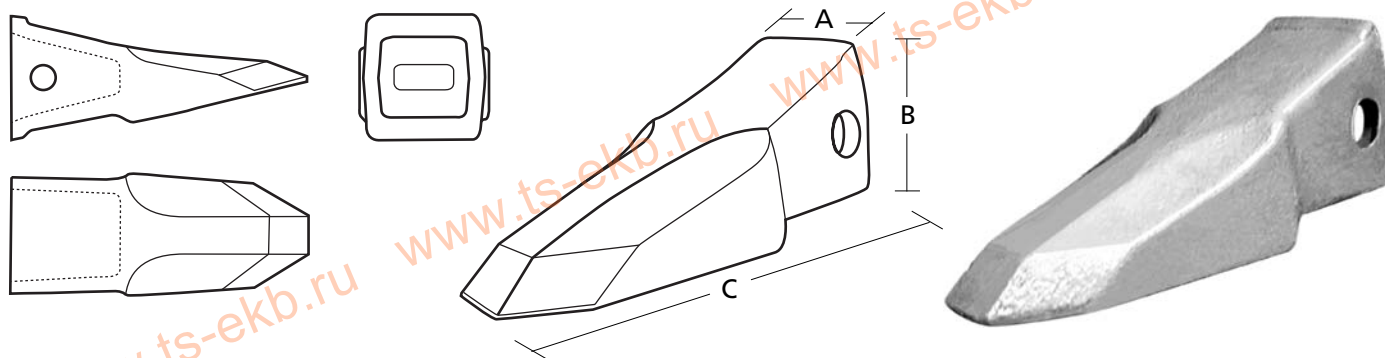
mm.				KG												mm
A	B	C	D													
61 2,40"	64 2,52"	146 5,75"	64 2,52"	1,23 2,71	<b>4T-2203</b>	8E-6208 1U-4208	8E-6209 4T-0001	4T-1204	8J-7525	-	-	9J-4207	-	-	-	<b>20</b>
75 2,95"	86 3,39"	194 7,64"	83 3,27"	4,20 9,26	<b>4T-2253</b>	8E-6258 9J-2258	8E-6259 3G-9609	1U-1254	3G-0169	-	6Y-3254	1U-0257	-	-	-	<b>25</b>
90 3,54"	99 3,90"	221 8,70"	101 3,98"	5,20 11,46	<b>4T-2303</b>	107-3308 9J-2308	8E-6259 3G-9609	1U-1304	9J-8929	-	3G-6304 /05/06 8E-9490 /95/96	4T-4307 1U-0307 3G-9307	3G-5307	-	-	<b>30</b>
98 3,86"	108 4,25"	236 9,29"	109 4,29"	8,00 17,64	<b>4T-2353</b>	8E-6358 9J-2358	8E-6359 3G-9549	1U-1354	1U-1350	-	6I-6354 /55/56	3G-3357 1U-1357	3G-1357 3G-2357	-	-	<b>35</b>
126 4,96"	130 5,12"	293 11,54"	137 5,39"	15,40 33,95	<b>9W-1453</b>	8E-0468	8E-8469	8E-0464	-	114-0464 /65/66	6I-6464 /65/66 6I-6465 RH/66 LH	-	-	-	-	<b>46</b>
155 6,10"	153 6,02"	334 13,15"	176 6,93"	22,40 49,38	<b>9W-1553</b>	6Y-8558 1U-1558	8E-5559 3G-9559	7J-9554	-	107-3554 /55/56	6I-6554 /55/56 6I-6555 RH/56 LH	-	-	-	-	<b>55</b>
203 7,99"	215 8,46"	417 16,42"	228 8,98"	49,00 108,02	<b>4T-4703</b>	4T-4708	4T4707	-	-	133-0704 /05/06 100-7416 /RH/LH	-	-	-	-	-	<b>70</b>

## Dent Abrasion HD



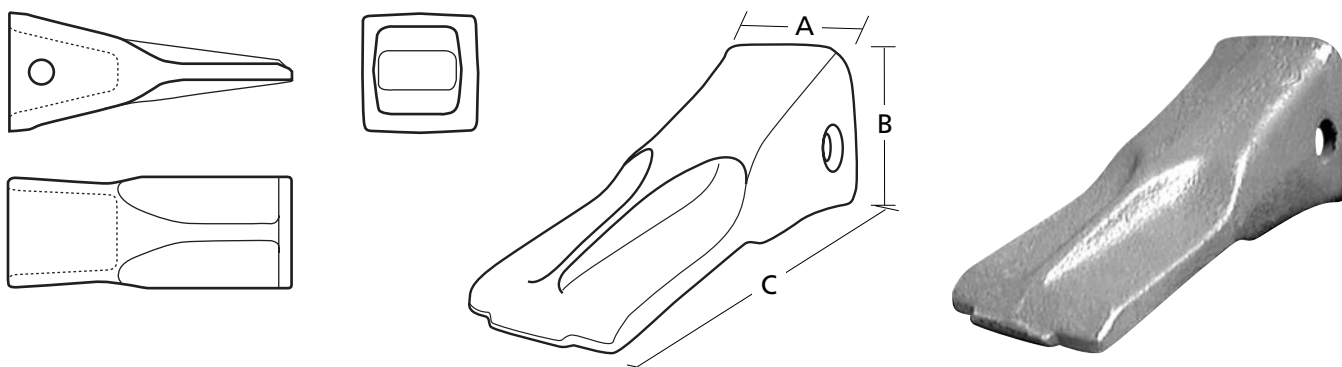
mm.				KG												mm
A	B	C	D													
79 3,11"	94 3,70"	201 7,91"	91 3,58"	5,10 11,24	<b>9N-4253</b>	8E-6258 9J-2258	8E-6259 3G-9609	1U-1254	3G-0169	-	6Y-3254	1U-0257	-	-	-	<b>25</b>
84 3,31"	102 4,02"	226 8,90"	107 4,21"	7,68 16,93	<b>9N-4303</b>	107-3308 9J-2308	8E-6259 3G-9609	1U-1304	9J-8929	-	3G-6304 /05/06 8E-9490 /95/96	4T-4307 1U-0307 3G-9307	3G-5307	-	-	<b>30</b>
102 4,02"	115 4,53"	254 10,00"	122 4,80"	11,80 26,01	<b>9N-4353</b>	8E-6358 9J-2358	8E-6359 3G-9549	1U-1354	1U-1350	-	6I-6354 /55/56	3G-3357 1U-1357	3G-1357 3G-2357	-	-	<b>35</b>
133 5,24"	142 5,59"	310 12,20"	166 6,54"	21,80 48,06	<b>9N-4453</b>	8E-0468	8E-8469	8E-0464	-	114-0464 /65/66	6I-6464 /65/66 6I-6465 RH/66 LH	-	-	-	-	<b>46</b>
160 6,30"	160 6,30"	346 13,62"	190 7,48"	31,20 68,78	<b>6Y-2553</b>	6Y-8558 1U-1558	8E-5559 3G-9559	7J-9554	-	107-3554 /55/56	6I-6554 /55/56 6I-6555 RH/56 LH	-	-	-	-	<b>55</b>
-	-	-	-	-	<b>6I-6603</b>	6I-6608	6I-6609	-	-	119-8604/05/06	6I-6604 /05/06 6I-6605 RH/06 LH	-	-	-	-	<b>60</b>
244 9,61"	240 9,45"	474 18,66"	292 11,50"	102,50 225,97	<b>6I-8803</b>	134-1808	134-1809	-	-	6I-8804	-	-	-	-	-	<b>80</b>

## Dent Abrasion Roc Pénétration



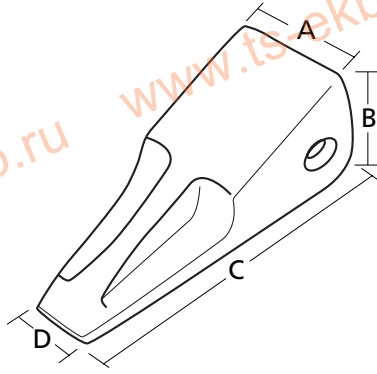
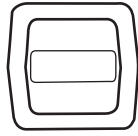
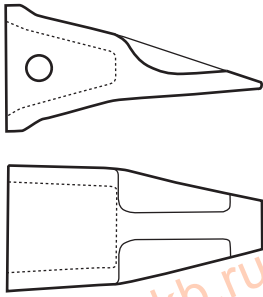
mm.			KG	Image	Image	Image	Image	Image	Image	Image	Image	Image	Image
A	B	C											
76 2,99"	93 3,66"	231 9,09"	5,20 11,46	<b>4T-2253 RP</b>	8E-6258 9J-2258	8E-6259 3G-9609	1U-1254	3G-0169	-	6Y-3254	1U-0257	-	<b>25</b>
89 3,50"	110 4,33"	258 10,16"	7,80 17,20	<b>4T-2303 RP</b>	107-3308 9J-2308	8E-6259 3G-9609	1U-1304	9J-8929	-	3G-6304 /05/06 8E-9490 /95/96	4T-4307 1U-0307 3G-9307	3G-5307	<b>30</b>
102 4,02"	108 4,25"	290 11,42"	10,70 23,59	<b>4T-2353 RP</b>	8E-6358 9J-2358	8E-6359 3G-9549	1U-1354	1U-1350	-	6I-6354 /55/56	3G-3357 1U-1357	3G-1357 3G-2357	<b>35</b>
119 4,69"	129 5,08"	320 12,60"	13,60 29,98	<b>7T-3403 RP</b>	7T-3408	8E-8409	-	-	-	6I-6404 /05/06	-	-	<b>40</b>
137 5,39"	148 5,83"	354 13,94"	21,70 47,84	<b>9W-1453 RP</b>	8E-0468	8E-8469	8E-0464	-	114-0464 /65/66	6I-6464 /65/66 6I-6465 RH/66 LH	-	-	<b>46</b>
160 6,30"	156 6,14"	367 14,45"	26,33 58,05	<b>9W-1553 RP</b>	6Y-8558 1U-1558	8E-5559 3G-9559	7J-9554	-	107-3554 /55/56	6I-6554 /55/56 6I-6555 RH/56 LH	-	-	<b>55</b>
197 7,76"	186 7,32"	451 17,76"	44,00 97,00	<b>6I-6603 RP</b>	6I-6608	6I-6609	-	-	119-8604/05/06	6I-6604 /05/06 6I-6605 RH/06 LH	-	-	<b>60</b>
200 7,87"	214 8,43"	496 19,53"	56,00 123,46	<b>4T-4703 RP</b>	4T-4708	4T4707	-	-	133-0704 /05/06 100-7416 /RH/LH	-	-	-	<b>70</b>

## Dent Longue SYL



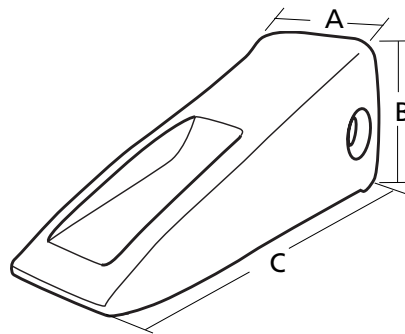
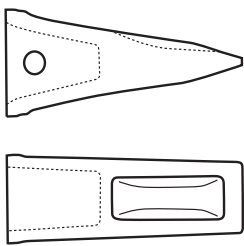
mm.			KG	Image	Image	Image	Image	Image	Image	Image	Image	Image	Image
A	B	C											
74 2,91"	90 3,54"	210 8,27"	3,25 7,16	<b>1U-3252 SYL</b>	8E-6258 9J-2258	8E-6259 3G-9609	1U-1254	3G-0169	-	6Y-3254	1U-0257	-	<b>25</b>
92 3,62"	104 4,09"	230 9,06"	4,40 9,70	<b>1U-3302 SYL</b>	107-3308 9J-2308	8E-6259 3G-9609	1U-1304	9J-8929	-	3G-6304 /05/06 8E-9490 /95/96	4T-4307 1U-0307 3G-9307	3G-5307	<b>30</b>
100 3,94"	115 4,53"	265 10,43"	6,70 14,77	<b>1U-3352 SYL</b>	8E-6358 9J-2358	8E-6359 3G-9549	1U-1354	1U-1350	-	6I-6354 /55/56	3G-3357 1U-1357	3G-1357 3G-2357	<b>35</b>
125 4,92"	134 5,28"	306 12,05"	13,00 28,66	<b>8E-4402 SYL</b>	7T-3408	8E-8409	-	-	-	6I-6404 /05/06	-	-	<b>40</b>
130 5,12"	143 5,63"	321 12,64"	13,50 29,76	<b>9W-8452 SYL</b>	8E-0468	8E-8469	8E-0464	-	114-0464 /65/66	6I-6464 /65/66 6I-6465 RH/66 LH	-	-	<b>46</b>
157 6,18"	154 6,06"	368 14,49"	21,20 46,74	<b>9W-8552 SYL</b>	6Y-8558 1U-1558	8E-5559 3G-9559	7J-9554	-	107-3554 /55/56	6I-6554 /55/56 6I-6555 RH/56 LH	-	-	<b>55</b>

## Dent Pénétration



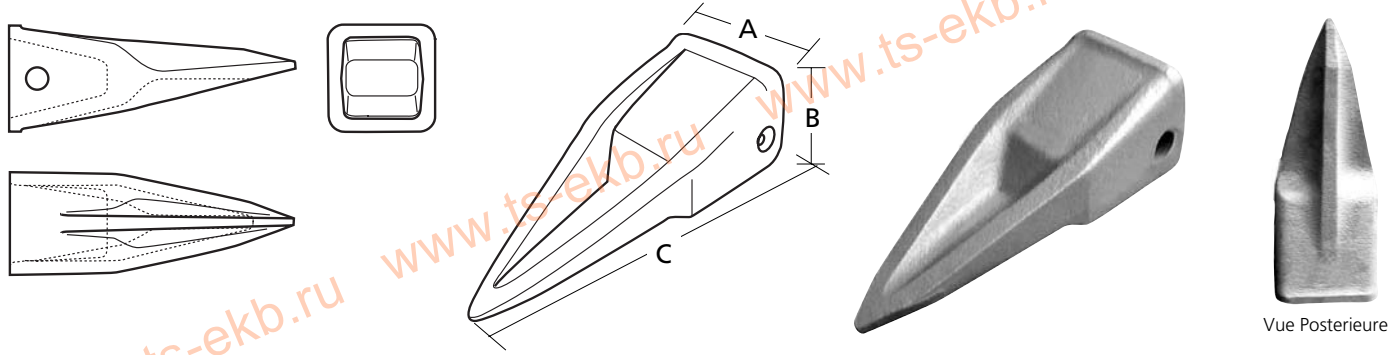
mm.				KG											mm
A	B	C	D												
56 2,20"	61 2,40"	146 5,75"	26 1,02"	1,00 2,20	<b>1U-3209</b>		8E-6208 1U-4208	8E-6209 4T-0001	4T-1204	8I-7525	-	-	9J-4207	-	<b>20</b>
62 2,44"	75 2,95"	168 6,61"	29 1,14"	2,10 4,63	6Y-8229	6Y-3228	8E-6259 3G-9609	-	-	-	6Y-3224	-	-	-	<b>22</b>
76 2,99"	87 3,43"	195 7,68"	32 1,26"	2,40 5,29	<b>9J-4259</b>	8E-6258 9J-2258	8E-6259 3G-9609	1U-1254	3G-0169	-	6Y-3254	1U-0257	-	-	<b>25</b>
89 3,50"	104 4,09"	219 8,62"	37 1,46"	3,60 7,94	<b>9J-4309</b>	107-3308 9J-2308	8E-6259 3G-9609	1U-1304	9J-8929	-	3G-6304 /05/06 8E-9490 /95/96	4T-4307 1U-0307 3G-9307	3G-5307	-	<b>30</b>
102 4,02"	112 4,41"	245 9,65"	46 1,81"	5,50 12,13	<b>9J-4359</b>	8E-6358 9J-2358	8E-6359 3G-9549	1U-1354	1U-1350	-	6I-6354 /55/56	3G-3357 1U-1357	3G-1357 3G-2357	-	<b>35</b>
118 4,65"	127 5,00"	267 10,51"	54 2,13"	8,40 18,52	<b>6Y-7409</b>	7T-3408	8E-8409	-	-	-	6I-6404 /05/06	-	-	-	<b>40</b>
128 5,04"	137 5,39"	292 11,50"	51 2,01"	10,50 23,15	<b>9W-8459</b> 9J4459	8E-0468	8E-8469	8E-0464	-	114-0464 /65/66	6I-6464 /65/66 6I-6465 RH/66 LH	-	-	-	<b>46</b>
150 5,91"	142 5,59"	333 13,11"	61 2,40"	14,60 32,19	<b>9W-8559</b> 9J4559	6Y-8558 1U-1558	8E-5559 3G-9559	7J-9554	-	107-3554 /55/56	6I-6554 /55/56 6I-6555 RH/56 LH	-	-	-	<b>55</b>
190 7,48"	183 7,20"	380 14,96"	84 3,31"	26,70 58,86	<b>7I-7609</b>	6I-6608	6I-6609	-	-	119-8604/05/06	6I-6604 /05/06 6I-6605 RH/06 LH	-	-	-	<b>60</b>
209 8,23"	216 8,50"	317 12,48"	83 3,27"	39,00 85,98	<b>4T-4709</b>	4T-4708	4T4707	-	-	133-0704 /05/06 100-7416 /RH/LH	-	-	-	-	<b>70</b>
236 9,29"	239 9,41"	456 17,95"	105 4,13"	52,00 114,64	<b>117-6809</b>	134-1808	134-1809	-	-	6I-8804	-	-	-	-	<b>80</b>

## Dent Longue HD



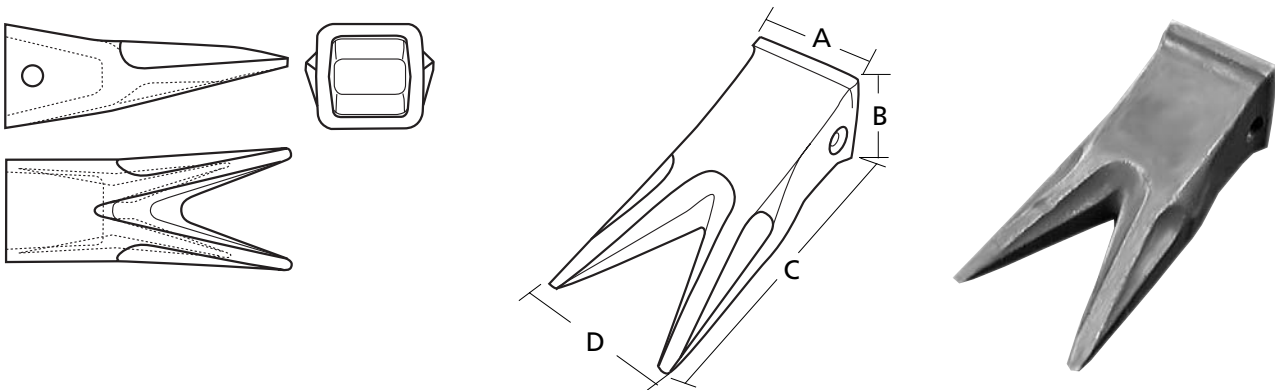
mm.			KG											mm
A	B	C												
76 2,99"	93 3,66"	202 7,95"	3,90 8,60	<b>9N-4252</b>	8E-6258 9J-2258	8E-6259 3G-9609	1U-1254	3G-0169	-	6Y-3254	1U-0257	-	-	<b>25</b>
91 3,58"	105 4,13"	221 8,70"	5,90 13,01	<b>9N-4302</b>	107-3308 9J-2308	8E-6259 3G-9609	1U-1304	9J-8929	-	3G-6304 /05/06 8E-9490 /95/96	4T-4307 1U-0307 3G-9307	3G-5307	-	<b>30</b>
100 3,94"	117 4,61"	255 10,04"	8,80 19,40	<b>9N-4352</b>	8E-6358 9J-2358	8E-6359 3G-9549	1U-1354	1U-1350	-	6I-6354 /55/56	3G-3357 1U-1357	3G-1357 3G-2357	-	<b>35</b>
278 10,94"	130 5,12"	119 4,69"	12,00 26,46	<b>8E-4402</b>	7T-3408	8E-8409	-	-	-	6I-6404 /05/06	-	-	-	<b>40</b>
134 5,28"	141 5,55"	316 12,44"	16,37 36,09	<b>9N-4452</b>	8E-0468	8E-8469	8E-0464	-	114-0464 /65/66	6I-6464 /65/66 6I-6465 RH/66 LH	-	-	-	<b>46</b>
159 6,26"	160 6,30"	370 14,57"	24,60 54,23	<b>9N-4552</b>	6Y-8558 1U-1558	8E-5559 3G-9559	7J-9554	-	107-3554 /55/56	6I-6554 /55/56 6I-6555 RH/56 LH	-	-	-	<b>55</b>
195 7,68"	189 7,44"	410 16,14"	40,80 89,95	<b>7Y-0602</b>	6I-6608	6I-6609	-	-	119-8604 /05/06	6I-6604 /05/06 6I-6605 RH/06 LH	-	-	-	<b>60</b>

### Dent Pénétration Pointue



mm.				KG	Image	Image	Image	Image	Image	Image	Image	Image	Image	Image	Image
A	B	C													
55 2,17"	58 2,28"	160 6,30"	1,20 2,65	<b>1U-3202 TL</b>	8E-6208 1U-4208	8E-6209 4T-0001	4T-1204	8J-7525	-	-	9J-4207	-	<b>20</b>		
76 2,99"	89 3,50"	215 8,46"	2,60 5,73	<b>1U-3252 TL</b> 9W-8259	8E-6258 9J-2258	8E-6259 3G-9609	1U-1254	3G-0169	-	6Y-3254	1U-0257	-	<b>25</b>		
86 3,39"	105 4,13"	241 9,49"	4,40 9,70	<b>1U-3302 TL</b> 9W-8309	107-3308 9J-2308	8E-6259 3G-9609	1U-1304	9J-8929	-	3G-6304 /05/06 8E-9490 /95/96	4T-4307 1U-0307 3G-9307	3G-5307	<b>30</b>		
99 3,90"	108 4,25"	286 11,26"	6,20 13,67	<b>1U-3352 TL</b> 9W-8359	8E-6358 9J-2358	8E-6359 3G-9549	1U-1354	1U-1350	-	6I-6354 /55/56	3G-3357 1U-1357	3G-1357 3G-2357	<b>35</b>		
115 4,53"	129 5,08"	325 12,80"	10,00 22,05	<b>7T-3402 TL</b> 6Y-5409	7T-3408	8E-8409	-	-	-	6I-6404 /05/06	-	-	<b>40</b>		
134 5,28"	134 5,28"	353 13,90"	13,40 29,54	<b>1U-3452 TL</b> 7T-8459	8E-0468	8E-8469	8E-0464	-	114-0464 /65/66	6I-6464 /65/66 6I-6465 RH/66 LH	-	-	<b>46</b>		
154 6,06"	149 5,87"	380 14,96"	16,60 36,60	<b>1U-3552 TL</b> 9W-6559	6Y-8558 1U-1558	8E-5559 3G-9559	7J-9554	-	107-3554 /55/56	6I-6554 /55/56 6I-6555 RH/56 LH	-	-	<b>55</b>		
170 6,69"	184 7,24"	457 17,99"	33,90 74,74	<b>6I-6602 TL</b> 107-8609	6I-6608	6I-6609	-	-	119-8604/05/06	6I-6604 /05/06 6I-6605 RH/06 LH	-	-	<b>60</b>		
200 7,87"	215 8,46"	505 19,88"	37,20 82,01	<b>4T-4702 TL</b>	4T-4708	4T4707	-	-	133-0704 /05/06 100-7416 /RH/LH	-	-	-	<b>70</b>		

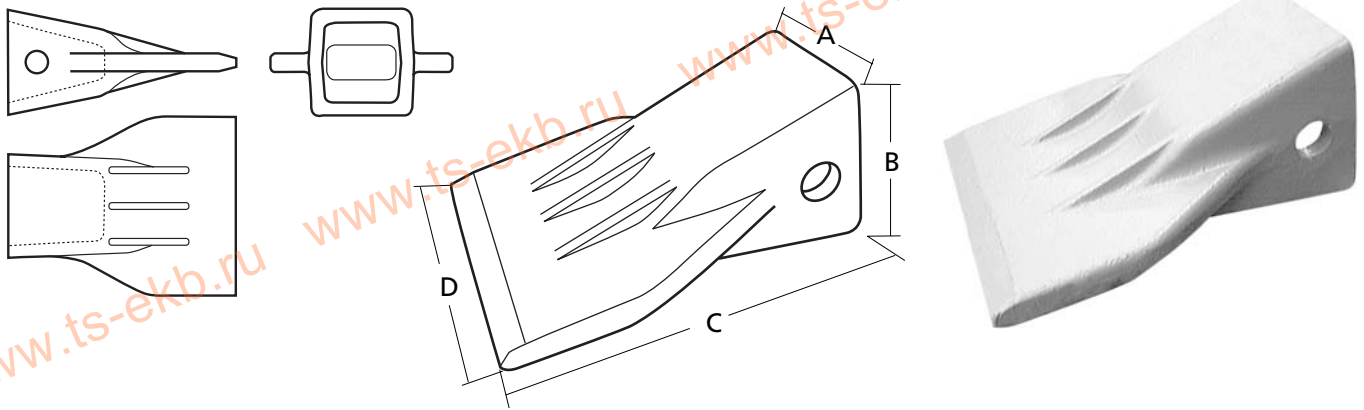
### Dent Pénétration Double Pointe



mm.				KG	Image	Image	Image	Image	Image	Image	Image	Image	Image	Image
A	B	C	D											
55 2,17"	58 2,28"	155 6,10"	75 2,95"	1,30 2,87	<b>1U-3202 WTL</b>	8E-6208 1U-4208	8E-6209 4T-0001	4T-1204	8J-7525	-	-	9J-4207	-	<b>20</b>
79 3,11"	90,5 3,56"	215 8,46"	90 3,54"	2,60 5,73	<b>1U-3252 TL</b> 135-8258	8E-6258 9J-2258	8E-6259 3G-9609	1U-1254	3G-0169	-	6Y-3254	1U-0257	-	<b>25</b>
85 3,35"	104 4,09"	242 9,53"	104 4,09"	4,40 9,70	<b>1U-3302 TL</b> 135-9308	107-3308 9J-2308	8E-6259 3G-9609	1U-1304	9J-8929	-	3G-6304 /05/06 8E-9490 /95/96	4T-4307 1U-0307 3G-9307	3G-5307	<b>30</b>
100 3,94"	108 4,25"	287 11,30"	122 4,80"	6,20 13,67	<b>1U-3352 TL</b> 135-9357	8E-6358 9J-2358	8E-6359 3G-9549	1U-1354	1U-1350	-	6I-6354 /55/56	3G-3357 1U-1357	3G-1357 3G-2357	<b>35</b>
115 4,53"	129 5,08"	320 12,60"	141 5,55"	10,00 22,05	<b>7T-3402 TL</b>	7T-3408	8E-8409	-	-	-	6I-6404 /05/06	-	-	<b>40</b>
133 5,24"	134 5,28"	354 13,94"	158 6,22"	13,40 29,54	<b>1U-3452 TL</b> 138-6458	8E-0468	8E-8469	8E-0464	-	114-0464 /65/66	6I-6464 /65/66 6I-6465 RH/66 LH	-	-	<b>46</b>
154 6,06"	148 5,83"	377 14,84"	183 7,20"	16,60 36,60	<b>1U-3552 TL</b> 138-6558	6Y-8558 1U-1558	8E-5559 3G-9559	7J-9554	-	107-3554 /55/56	6I-6554 /55/56 6I-6555 RH/56 LH	-	-	<b>55</b>
196 7,72"	185 7,28"	462 18,19"	235 9,25"	33,90 74,74	<b>6I-6602 TL</b>	6I-6608	6I-6609	-	-	119-8604 /05/06	6I-6604 /05/06 6I-6605 RH/06 LH	-	-	<b>60</b>

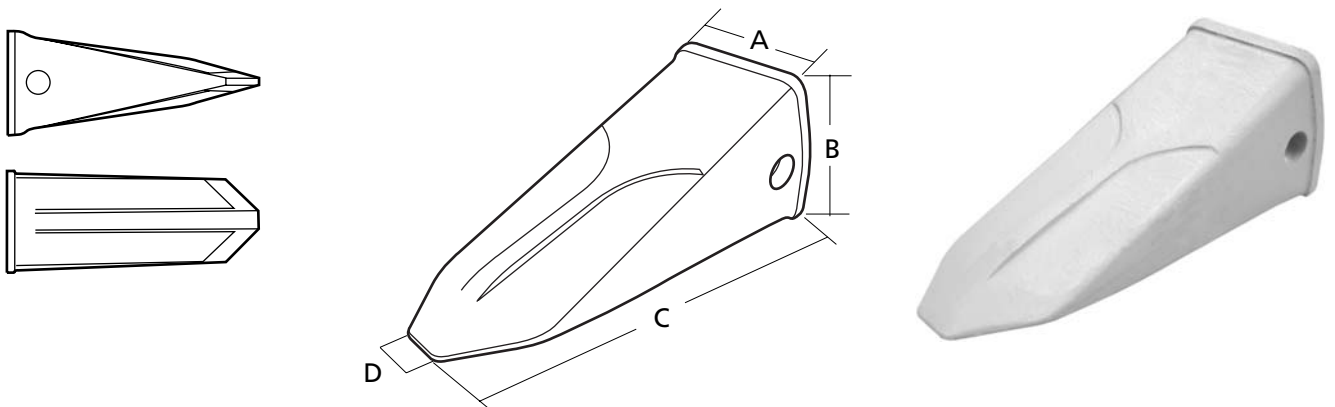


## Dent Large



mm.				KG	Image	Image	Image	Image	Image	Image	Image	Image	Image	Image	Image
A	B	C	D												
73 2,87"	86 3,39"	196 7,72"	113 4,45"	3,20 7,05	<b>3G-8250</b>	8E-6258 9J-2258	8E-6259 3G-9609	1U-1254	3G-0169	-	6Y-3254	1U-0257	-	<b>25</b>	
-	-	-	-	-	4T-1300	107-3308 9J-2308	8E-6259 3G-9609	1U-1304	9J-8929	-	3G-6304 /05/06 8E-9490 /95/96	4T-4307 1U-0307 3G-9307	3G-5307	<b>30</b>	
-	-	-	-	-	8J-3350	8E-6358 9J-2358	8E-6359 3G-9549	1U-1354	1U-1350	-	6I-6354 /55/56	3G-3357 1U-1357	3G-1357 3G-2357	<b>35</b>	
-	-	-	-	-	7T-3400	7T-3408	8E-8409	-	-	-	6I-6404 /05/06	-	-	<b>40</b>	
134 5,28"	134 5,28"	285 11,22"	230 9,06"	14,60 32,19	<b>8J-1450</b>	8E-0468	8E-8469	8E-0464	-	114-0464 /65/66	6I-6464 /65/66 6I-6465 RH/66 LH	-	-	<b>46</b>	
-	-	-	-	-	7J-9550	6Y-8558 1U-1558	8E-5559 3G-9559	7J-9554	-	107-3554 /55/56	6I-6554 /55/56 6I-6555 RH/56 LH	-	-	<b>55</b>	

## Dent Rock Chisel Rc



mm.				KG	Image	Image	Image	Image	Image	Image	Image	Image	Image	Image	Image
A	B	C	D												
85 3,35"	101 3,98"	150 5,91"	30 1,18"	5,18 11,42	<b>1U-3302 RC</b>	107-3308 9J-2308	8E-6259 3G-9609	1U-1304	9J-8929	-	3G-6304 /05/06 8E-9490 /95/96	4T-4307 1U-0307 3G-9307	3G-5307	<b>30</b>	
95 3,74"	105 4,13"	280 11,02"	35 1,38"	7,90 17,42	<b>1U-3352 RC</b>	8E-6358 9J-2358	8E-6359 3G-9549	1U-1354	1U-1350	-	6I-6354 /55/56	3G-3357 1U-1357	3G-1357 3G-2357	<b>35</b>	
130 5,12"	135 5,31"	345 13,58"	35 1,38"	14,20 31,31	<b>1U-3452 RC</b>	8E-0468	8E-8469	8E-0464	-	114-0464 /65/66	6I-6464 /65/66 6I-6465 RH/66 LH	-	-	<b>46</b>	
150 5,91"	150 5,91"	390 15,35"	50 1,97"	23,30 51,37	<b>1U-3552 RC</b>	6Y-8558 1U-1558	8E-5559 3G-9559	7J-9554	-	107-3554 /55/56	6I-6554 /55/56 6I-6555 RH/56 LH	-	-	<b>55</b>	
190 7,48"	160 6,30"	480 18,90"	75 2,95"	39,50 87,08	<b>6I-6602 RC</b>	6I-6608	6I-6609	-	-	119-8604/05/06	6I-6604 /05/06 6I-6605 RH/06 LH	-	-	<b>60</b>	

# ARM

## Matériau Résistant à l'Abrasion

### Qu'est-ce que l'ARM?

L'ARM (matériaux résistant à l'abrasion) est un rechargement **fait à partir de particules de tungstène** hautement résistant (notez que le tungstène offre une plus grande dureté que le quartz et le diamant) Le rechargement ARM fonctionne en formant un bouclier protecteur dans les zones plus sensibles à l'usure.

Le rechargement de **tungstène est recommandé pour les applications où le sable**, les gravillons et autres matières abrasives usent plus rapidement les pièces, raccourcissant leur durée.

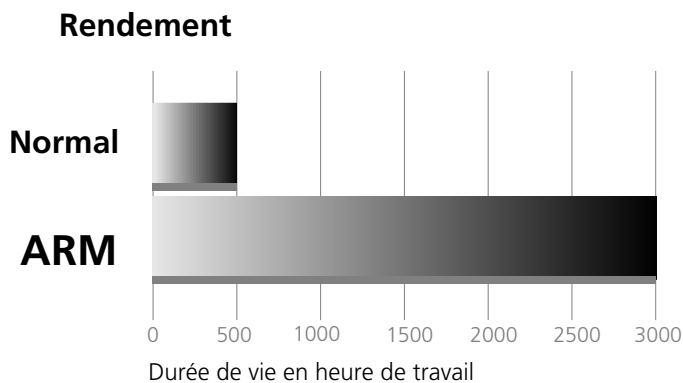
### Economie

Une pièce rechargée d'ARM a une **durée moyenne de 3 à 5 fois plus importante qu'une pièce standard**. Le prix d'une pièce rechargée d'ARM coûte moins du double qu'une pièce standard, ce qui représente une économie importante de temps de montage et de confort d'utilisation.

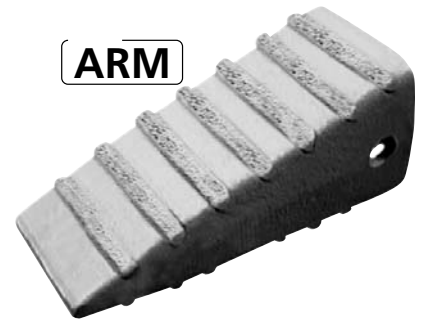
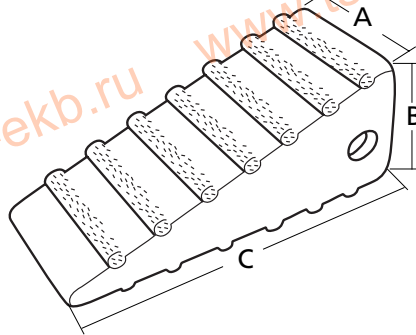
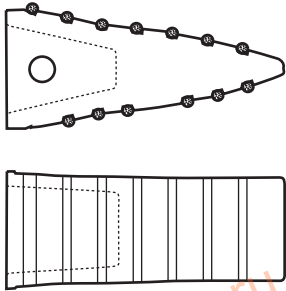
La durée de vie de la pièce est allongée, les coûts d'entretien sont réduits et la productivité est accrue grâce à l'extrême dureté du rechargement qui permet une meilleure pénétration d'ou un rapport qualité/prix des pièces ARM très avantageux.

### Applications

Les parties rechargées d'ARM fonctionnent mieux pour les travaux de forte abrasion avec faible ou moyen choc. Consultez nos techniciens si vous avez un doute concernant l'utilisation de l'ARM pour votre type d'application.

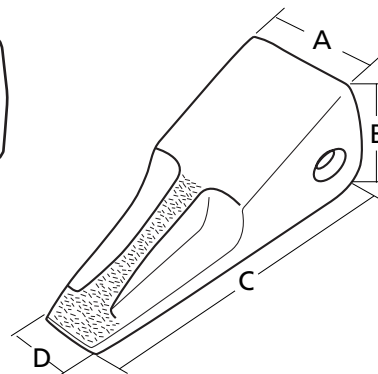
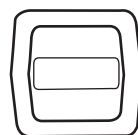
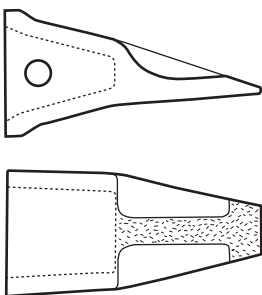


### Dent Longue ARM



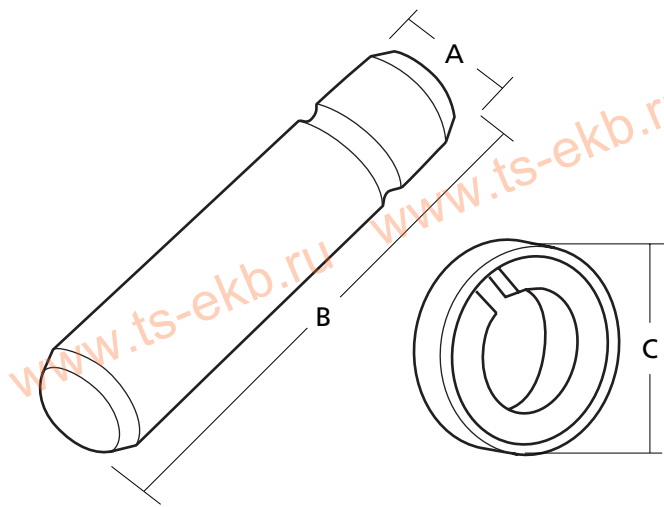
mm.														
A	B	C												
-	-	-	-	125-8302	107-3308 9J-2308	8E-6259 3G-9609		1U-1304	9J-8929	-	3G-6304 /05/06 8E-9490 /95/96	4T-4307 1U-0307 3G-9307	3G-5307	<b>30</b>
-	-	-	-	135-9352	8E-6358 9J-2358	8E-6359 3G-9549		1U-1354	1U-1350	-	6I-6354 /55/56	3G-3357 1U-1357	3G-1357 3G-2357	<b>35</b>
-	-	-	-	116-7402	7T-3408	8E-8409		-	-	-	6I-6404 /05/06	-	-	<b>40</b>
134 5,28"	141 5,55"	316 12,44"	19,40 42,77"	<b>101-9054</b>	8E-0468	8E-8469	8E-0464	-	114-0464 /65/66		6I-6464 /65/66 6I-6465 RH/66 LH	-	-	<b>46</b>
159 6,26"	160 6,30"	370 14,57"	24,00 52,91"	<b>101-9055</b>	6Y-8558 1U-1558	8E-5559 3G-9559	7J-9554	-	107-3554 /55/56		6I-6554 /55/56 6I-6555 RH/56 LH	-	-	<b>55</b>
-	-	-	-	107-8602	6I-6608	6I-6609	-	-	119-8604/05/06		6I-6604 /05/06 6I-6605 RH/06 LH	-	-	<b>60</b>
-	-	-	-	107-2001	4T-4708	4T4707	-	-	133-0704 /05/06 100-7416 /RH/LH		-	-	-	<b>70</b>




### Dent Pénétration ARM



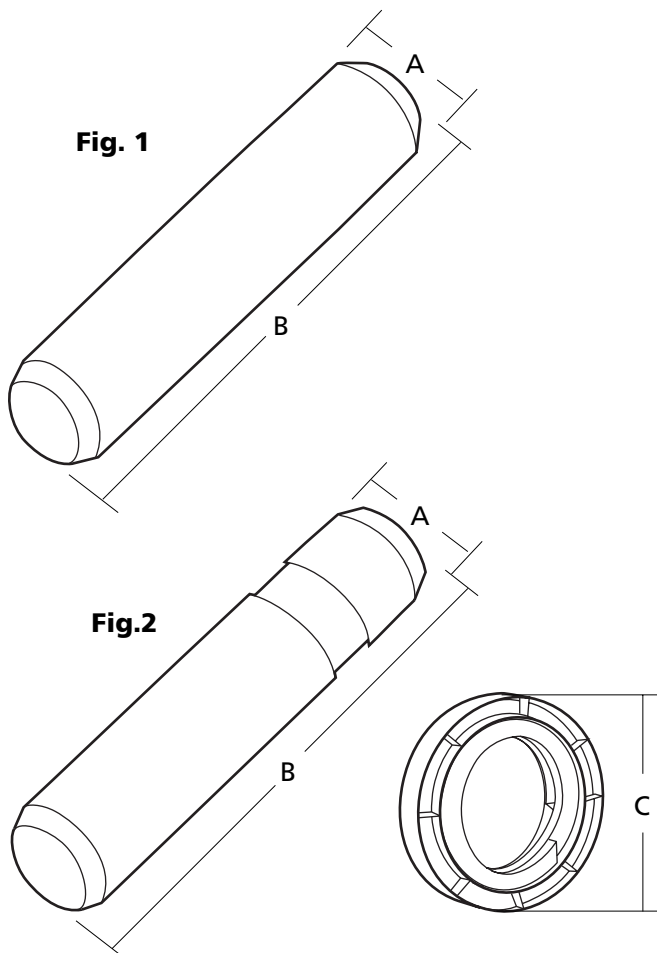
mm.														
A	B	C	D											
102 4,02"	112 4,41"	245 9,65"	46 1,81"	5,50 12,13	<b>119-9359</b>	8E-6358 9J-2358	8E-6359 3G-9549	1U-1354	1U-1350	-	6I-6354 /55/56	3G-3357 1U-1357	3G-1357 3G-2357	<b>35</b>
118 4,65"	127 5,00"	267 10,51"	54 2,13"	8,40 18,52	<b>124-7409</b>	7T-3408	8E-8409	-	-	-	6I-6404 /05/06	-	-	<b>40</b>
128 5,04"	137 5,39"	292 11,50"	51 2,01"	11,30 24,91	<b>116-7459</b>	8E-0468	8E-8469	8E-0464	-	114-0464 /65/66	6I-6464 /65/66 6I-6465 RH/66 LH	-	-	<b>46</b>
150 5,91"	142 5,59"	333 13,11"	61 2,40"	14,60 32,19	<b>113-0559</b>	6Y-8558 1U-1558	8E-5559 3G-9559	7J-9554	-	107-3554 /55/56	6I-6554 /55/56 6I-6555 RH/56 LH	-	-	<b>55</b>
190 7,48"	183 7,20"	380 14,96"	84 3,31"	28,50 62,83	<b>119-9609</b>	6I-6608	6I-6609	-	-	119-8604/05/06	6I-6604 /05/06 6I-6605 RH/06 LH	-	-	<b>60</b>


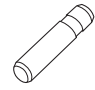

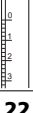
**Axe et Ressort**



mm.					
A	B	C			
11 0,43"	61 2,40"	22 0,87"	<b>8E-6208</b> 1U-4208	<b>8E-6209</b> 4T-0001	<b>20</b> J200
14 0,55"	69 2,72"	30 1,18"	6Y-3228	<b>8E-6259</b> 3G-9609	<b>22</b> J225
14 0,55"	78 3,07"	30 1,18"	<b>8E-6258</b> 9J-2258	<b>8E-6259</b> 3G-9609	<b>25</b> J250
14 0,55"	92 3,62"	30 1,18"	<b>107-3308</b> 9J-2308	<b>8E-6259</b> 3G-9609	<b>30</b> J300
19 0,75"	108 4,25"	40 1,57"	<b>8E-6358</b> 9J-2358	<b>8E-6359</b> 3G-9549	<b>35</b> J350
22 0,87"	119 4,69"	42 1,65"	<b>7T-3408</b>	<b>8E-8409</b>	<b>40</b> J400
19 0,75"	135 5,31"	40 1,57"	<b>9W-8296</b> 4T-1458	<b>8E-6359</b> 3G-9549	<b>45</b> J450
24 0,94"	141 5,55"	44 1,73"	<b>8E-0468</b>	<b>8E-8469</b>	<b>46</b> J460
25 0,98"	162 6,38"	53 2,09"	<b>6Y-8558</b> 1U-1558	<b>8E-5559</b> 3G-9559	<b>55</b> J550
30 1,18"	195 7,68"	59 2,32"	<b>6I-6608</b>	<b>6I-6609</b>	<b>60</b> J600
32 1,26"	200 7,87"	70 2,76"	<b>4T-4708</b>	<b>4T-4707</b>	<b>70</b> J700
-	-	-	102-0101	101-2874	<b>80</b> J800

**Axe et Ressort HD**



mm.						
A	B	C				
14 0,55"	69 2,72"	30 1,18"	<b>132-4762</b>	-	<b>133-0699</b>	<b>22</b> J225
14 0,55"	78 3,07"	30 1,18"	<b>132-4763</b>	-	<b>133-0699</b>	<b>25</b> J250
14 0,55"	92 3,62"	30 1,18"	<b>132-4766</b>	-	<b>133-0699</b>	<b>30</b> J300
19 0,75"	108 4,25"	40 1,57"	-	<b>114-0358</b>	<b>114-0359</b>	<b>35</b> J350
22 0,87"	119 4,69"	42 1,65"	-	<b>116-7408</b>	<b>116-7409</b>	<b>40</b> J400
24 0,94"	135 5,31"	44 1,73"	-	<b>114-0468</b>	<b>107-3469</b>	<b>46</b> J460
25 0,98"	162 6,38"	53 2,09"	-	<b>107-3378</b>	<b>107-8559</b>	<b>55</b> J550
30 1,18"	195 7,68"	59 2,32"	-	<b>113-9608</b>	<b>113-9609</b>	<b>60</b> J600
32 1,26"	200 7,87"	70 2,76"	-	<b>4T-4708</b>	<b>113-4709</b>	<b>70</b> J700
35 1,38"	240 9,45"	70 2,76"	-	<b>134-1808</b>	<b>134-1809</b>	<b>80</b> J800